

Product Information

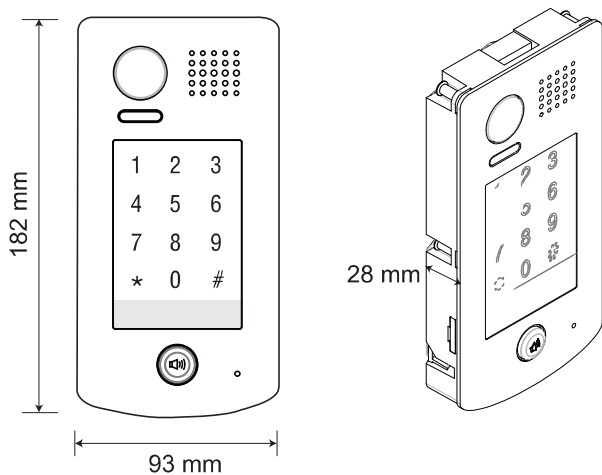
DT601 Series 2-Wire Video Intercom System



DESCRIPTION

2-wire system color outdoor station with keypad access control

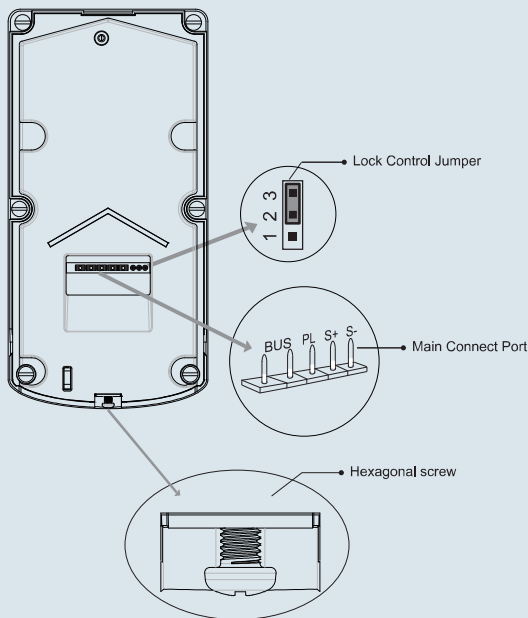
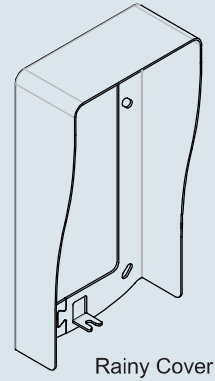
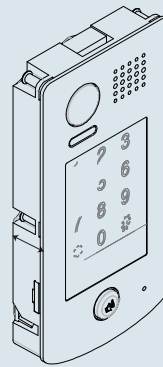
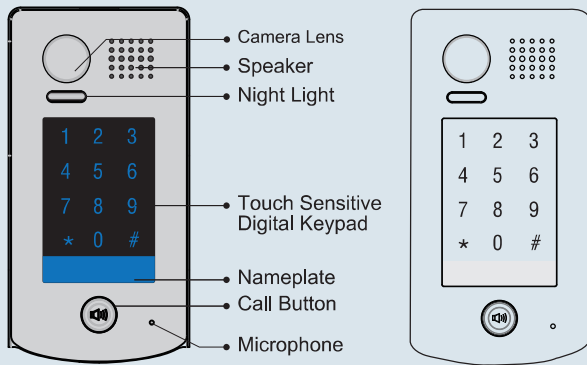
DIMENSION



FEATURES

- ▶ 4mm plexiglass cover
- ▶ Waterproof nameplate design with blue light background
- ▶ ARS 105 visual degree high resolution Camera
- ▶ Anti-tamper screw installation
- ▶ Full stainless steel materials design
- ▶ Keypad password access control
- ▶ Support two kinds of lock(power on/off)
- ▶ IP54 strong waterproof

1. Parts and Functions



Lock Control Jumper: To select the lock type.

Main Connect Port: To connect the bus line and the electronic locks.

BUS: Connect to the bus line, no polarity.

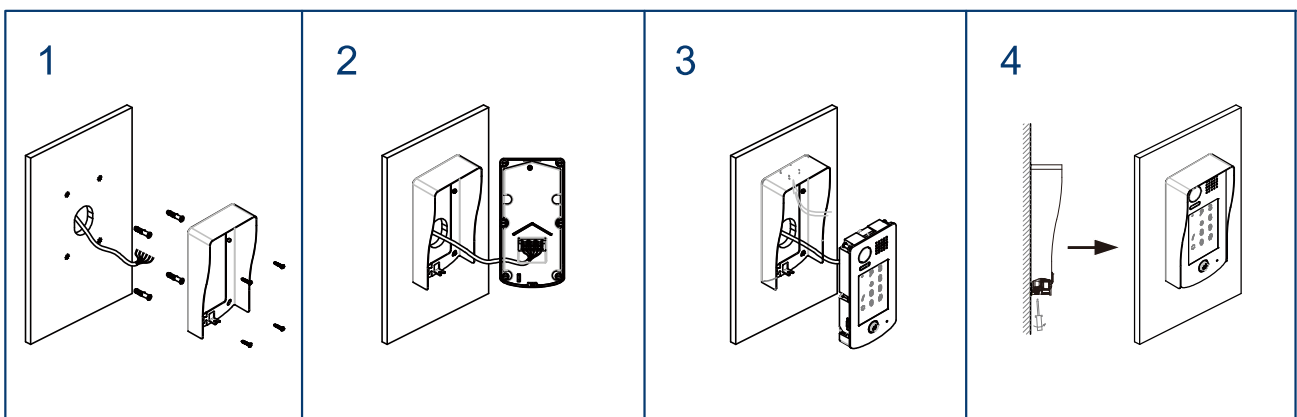
PL: External lock power input, connect to the power positive(power +).

S+: Lock power(+) output.

S-: Lock power(-) output, connect to the power(-) input of locks(only when using the camera to power the locks, if using the external power supply for the locks, the S- will not be connected).

Hexagonal screw: fixed door station.

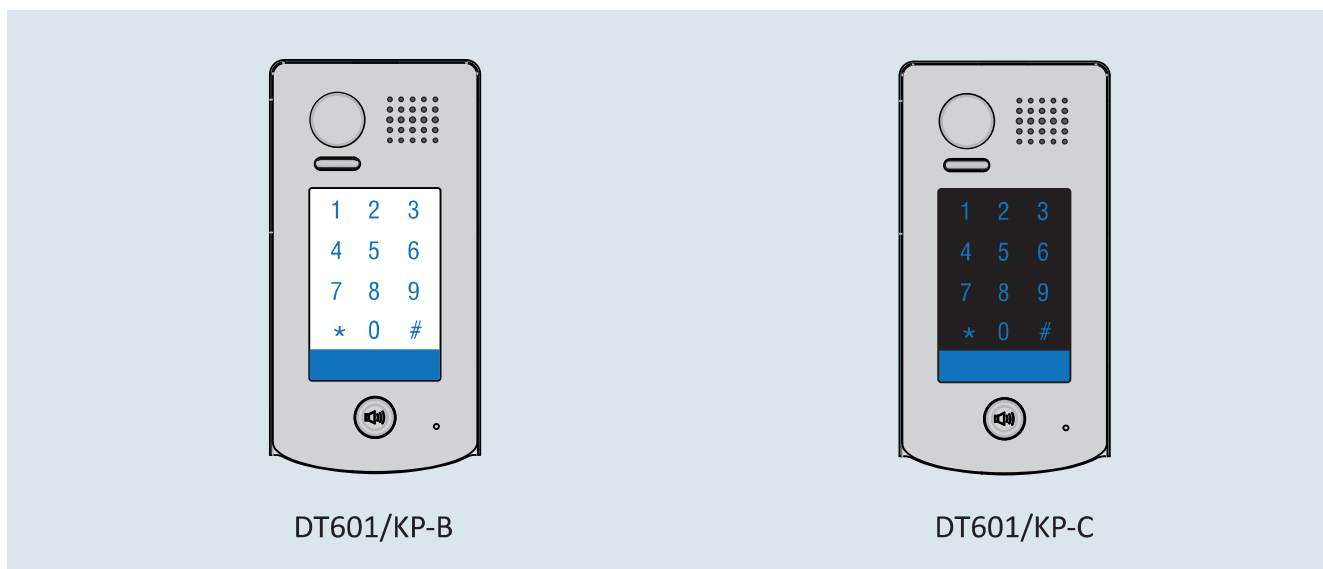
2. Door Station Mounting



3. Specification

- Power Supply : DC 24V;
- Power Consumption: Standby 60mA; Working status 200mA;
- Camera: Color ARS; 420 TV Lines;
- Unlocking time: 1~99s;
- Lock Power supply: 12Vdc, 300mA(Internal Power);
- Number of relay circuits: 2(the second lock need external device to support);
- Working temperature: -10°C ~ +55°C;
- Dimension: 182(H)×93(W)×44(D)mm.

4. Ordering Information for Door Station



Model No.	Brief Description	Remark
DT601KP/B	color outdoor station with ARS camera include white background & blue numbers	NSTC,PAL must be specified
DT601KP/C	color outdoor station with ARS camera include black background & blue numbers	NSTC,PAL must be specified

5. Packing Information



Dimensions: 202(H)×100(W)×60(D)mm
Gross Weight: 0.75Kg



Carton: 415 (H)×360 (W)×265 (D)mm
Quantity: 28PCS