

# Product Information

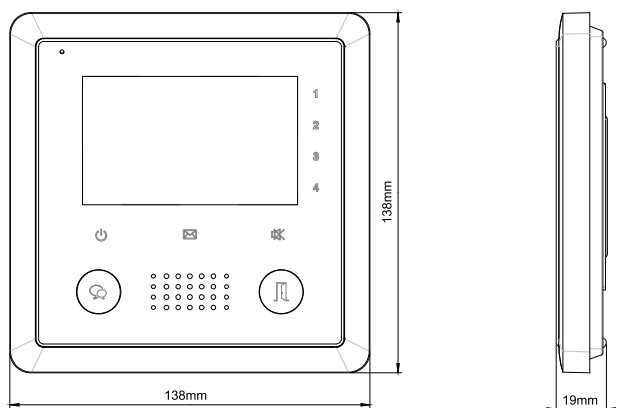
## DT39 2-Wire Indoor Monitor



### DESCRIPTION

2-wire system 3.9 inch Digital Color TFT Monitor with touch sensor button.

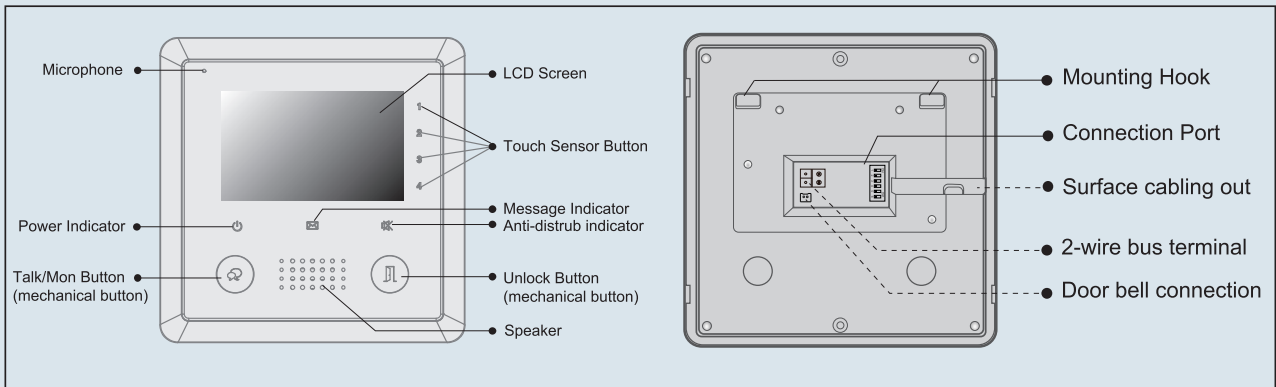
### DIMENSION



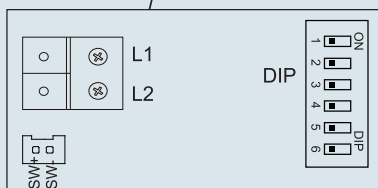
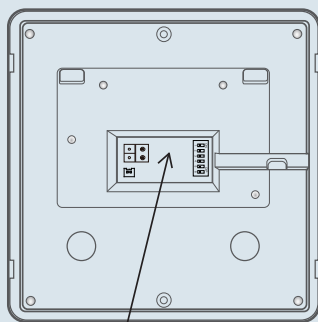
### FEATURES

- ▶ 3.9 inch TFT with high resolution(800\*480 pixel)
- ▶ Ultra-thin design with 19mm thickness
  - \*1 Support max.16 languages
  - \*1 Guarantee 32 users capacity
- ▶ 2 locks control interface
- ▶ Support Video memory via SC6V modular
- ▶ Support telephone converter via TPS
- ▶ Support analogue & 2 wire Camera via DCU/SC6

# 1. Parts and Functions



LCD Screen	Display the visitors' image
Touch Sensor Button	Menu navigation and tools setting
Microphone	Receive voice from the user
Message Indicator	When the LED On that means unread memory message reminder
Anti-distrub indicator	Anti-distrub function status indicator
Power Indicator	Power status indicator
Unlock button	Press to release the door
Talk/Mon button	Press to communicate hands free with visitor
	Press to view the outdoor condition in standby mode
Speaker	Send out voice from the visitor
Mounting hook	Use to hang up the monitor
Connection port	Bus terminal



**L1,L2:** Bus terminal

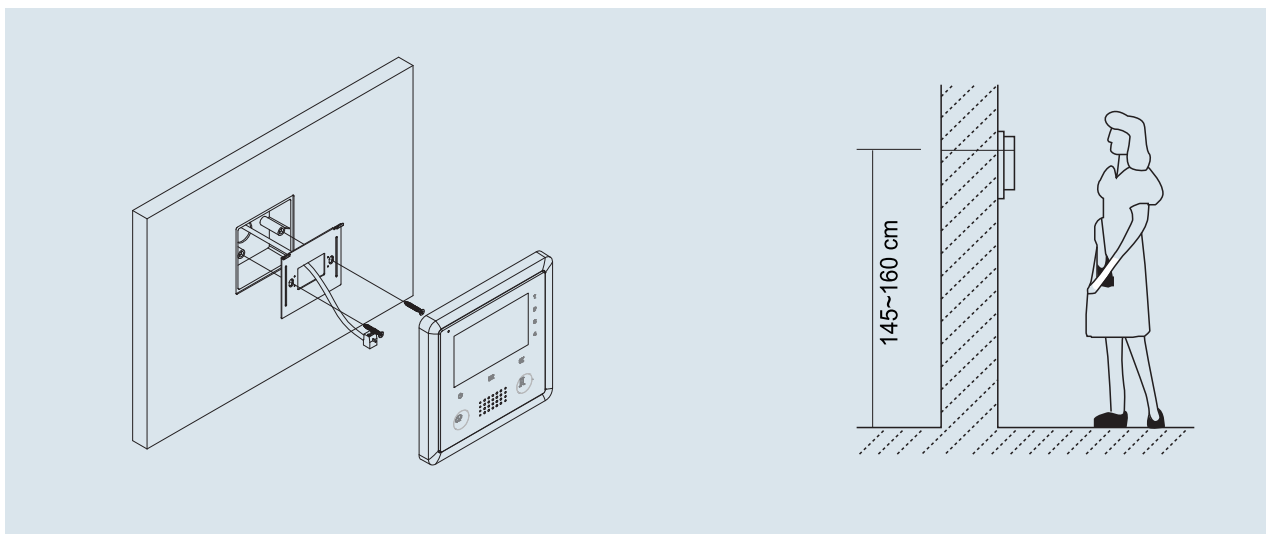
**SW+,SW-:** Door bell call button connection port

**DIP switches:** Total 6 bits can be configured.

**Bit1~Bit5:** Used to User Code setting.

**Bit6:** Set to ON if the monitor is at the end of the line or works with DBC4S. Otherwise, set to OFF.

## 2. Monitor Mounting



1. Use the screws to fix the Mounting Bracket on the mounting box.(fitting accesories includes a Bracket (Two pieces of 4X25 screws are needed for fastening the Mounting Bracket), Special 2 wire connectors to connect with Monitor)
2. Wire the system correctly(see the later connection chapter) then hang the Monitor on the Mounting Bracket firmly.

## 3. Specification

- Power supply: DC 20~28V
- Power consumption: Standby 0.286W; Working status 3.224W
- Monitor screen: 3.9 inch digital color TFT
- Display Resolutions: 800(R, G, B) x 480 pixels
- Video signal: 1Vp-p, 75Ω, CCIR standard
- Wiring: 2 wires, non-polarity
- Dimension: 138(H)×138(W)×19(D)mm

## 4. Ordering Information For Monitor

Item	Brief Description	Menu style
DT39	3.9 inch digital color TFT screen monitor with mechanical button	Color icon

## 5. Packing Information



Dimensions: 166(H)×244(W)×40(D)mm

Gross Weight: 0.56Kg



Carton: 495 (H)×403 (W)×310 (D)mm

Quantity: 72PCS

## 6. App: Menu style

